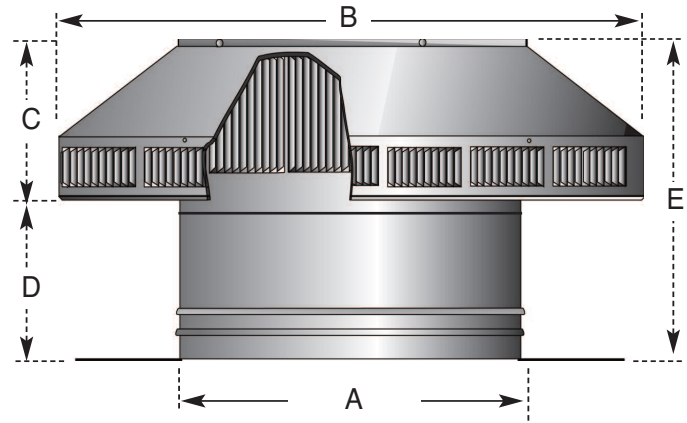


THE POP VENT™

The Missing Link in Passive Air Make-up



PV-12
shown
with
optional 6"
collar



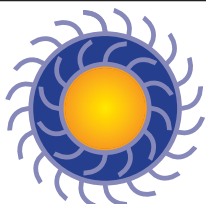
- Provides Outdoor Air Directly Into Fresh Air Ducts, Attics Or Buildings
- Extensively Used As A Conventional Roof Exhaust Vent
- Durable All Aluminum Construction
- Collars Are Available To Increase The Height Of The Vent
- Wind Tested To 120 Mph
- Powder Coating Available
- Lifetime Guarantee

DIMENSIONS & SPECIFICATIONS

As of Jan. 1, 2004

Dim. in Inches	PV-4	PV-6	PV-8	PV-10	PV-12	PV-14	PV-18	PV-24
A Inside Diam	4	6	8	10	12	14	18	24
B Outside Diam	8	10	12	14	16	18	23	29
C Std Height	5", Without Collars						7	9
D Additional Collar Heights	1,2,4, or 6"; also collars can be combined. E.g. two 6" collars combine for a 12" stack							
E Overall Height w/ 6" Collar	11	11	11	11	11	11	13	15
Free Area sq. in.	12.5	28	50	78	113	144	254	452
Weight in Lbs.	1	1.5	1.75	2	2.5	3	6	10
Application: sq. ft./vent*	52	100	200	325	450	600	1050	1883

*This is based upon the 1/300 rule: One square foot of ventilation on top for every 600 square feet of floor; 50% exhaust, 50% intake.



ACTIVE VENTILATION PRODUCTS, INC.

800-247-3463 845-565-7770

www.roofvents.com • E-mail: roofvents@aol.com • Fax 845-562-8963