



BUILDING CODE COMPLIANCE OFFICE  
METRO-DADE FLAGLER BUILDING  
140 WEST FLAGLER STREET, SUITE 1603  
MIAMI, FLORIDA 33130-1563  
(305) 375-2901  
FAX (305) 375-2908

PRODUCT CONTROL DIVISION  
(305) 375-2902  
FAX (305) 372-6339

**Martin K. Kolt**  
**Active Ventilation Products**  
**311 First Street**  
**Newburgh, New York 12550**

## NOTICE OF PROPOSED ACTION

**To: Members of the Board of Rules and Appeals and  
Active Ventilation Products, Applicant**

In accordance with Dade County Administrative Order 10-3, which governs the product review process, the Product Control Division of the Office of Code Compliance, intends to issue a Product Control Notice of Acceptance to Active Ventilation Products for Aura-D Ventilator, No. 09-0806.08, to allow its use in Dade County and its municipalities.

**To: Members of the Board of Rules and Appeals:**

The documentation being provided to you represents the recommendation of the Product Control Division of the Office of Code Compliance in regards to the submittal of Active Ventilation Products for Aura-D Ventilator, No. 09-0806.08. Under the provisions of Dade County Administrative Order 10-3, which governs the product review process. You must review this documentation. If within 20 days from the date of mailing, we do not receive any written objection stating the reason(s) for your disapproval, this product will be automatically approved.

**To: Active Ventilation Products, Applicant**

The Product Control Division of the Office of Code Compliance, in accordance with Dade County Administrative Order 10-3, which governs the product review process, has issued this notice of proposed action and intends to issue a Product Control Notice of Acceptance for your Aura-D Ventilator, No. 09-0806.08, to be used in Dade County and its municipalities, unless a member of the Board of Rules and Appeals or yourself has any objections. Should you not be in accord with this notice of proposed action and wish to appeal our recommendation, you must make a written request, stating the reasons for your objection(s), to our office within 20 days of the date of mailing. Upon receipt of your written request a hearing date will be set so that you can present your objection(s) to the Board of Rules and Appeals.

Sincerely,

Jaime D. Gascon, PE  
Chief, Product Control Division

**DATE OF MAILING: 9/3/2009**

**MAILED BY:**



**BUILDING CODE COMPLIANCE OFFICE (BCCO)  
PRODUCT CONTROL DIVISION**

**MIAMI-DADE COUNTY, FLORIDA  
METRO-DADE FLAGLER BUILDING  
140 WEST FLAGLER STREET, SUITE 1603  
MIAMI, FLORIDA 33130-1563  
(305) 375-2901 FAX (305) 375-2908**

**NOTICE OF ACCEPTANCE (NOA)**

---

**Active Ventilation Products  
311 First Street  
Newburg, NY 12550-4857**

**SCOPE:**

This NOA is being issued under the applicable rules and regulations governing the use of construction materials. The documentation submitted has been reviewed by Miami-Dade County Product Control Division and accepted by the Board of Rules and Appeals (BORA) to be used in Miami Dade County and other areas where allowed by the Authority Having Jurisdiction (AHJ).

This NOA shall not be valid after the expiration date stated below. The Miami-Dade County Product Control Division (In Miami Dade County) and/or the AHJ (in areas other than Miami Dade County) reserve the right to have this product or material tested for quality assurance purposes. If this product or material fails to perform in the accepted manner, the manufacturer will incur the expense of such testing and the AHJ may immediately revoke, modify, or suspend the use of such product or material within their jurisdiction. BORA reserves the right to revoke this acceptance, if it is determined by Miami-Dade County Product Control Division that this product or material fails to meet the requirements of the applicable building code.

This product is approved as described herein, and has been designed to comply with the Florida Building Code, including the High Velocity Hurricane Zone of the Florida Building Code.

**DESCRIPTION: Aura-D Ventilator**

**LABELING:** Each unit shall bear a permanent label with the manufacturer's name or logo, city, state and following statement: "Miami-Dade County Product Control Approved", unless otherwise noted herein.

**RENEWAL** of this NOA shall be considered after a renewal application has been filed and there has been no change in the applicable building code negatively affecting the performance of this product.

**TERMINATION** of this NOA will occur after the expiration date or if there has been a revision or change in the materials, use, and/or manufacture of the product or process. Misuse of this NOA as an endorsement of any product, for sales, advertising or any other purposes shall automatically terminate this NOA. Failure to comply with any section of this NOA shall be cause for termination and removal of NOA.

**ADVERTISEMENT:** The NOA number preceded by the words Miami-Dade County, Florida, and followed by the expiration date may be displayed in advertising literature. If any portion of the NOA is displayed, then it shall be done in its entirety.

**INSPECTION:** A copy of this entire NOA shall be provided to the user by the manufacturer or its distributors and shall be available for inspection at the job site at the request of the Building Official.

This renews NOA#04-0622.03 and consists of pages 1 through 3.  
The submitted documentation was reviewed by Alex Tigera.

*AT*

**NOA No.: 09-0806.08  
Expiration Date: 08/05/14  
Approval Date:  
Page 1 of 3**

## ROOFING COMPONENT APPROVAL

**Category:** Roofing  
**Sub-Category:** 07720 Ventilation  
**Type:** Static Roof Vent  
**Materials:** Aluminum  
**Deck:** Wood

### TRADE NAMES OF PRODUCTS MANUFACTURED OR LABELED BY APPLICANT:

<u>Product</u>	<u>Dimensions</u>	<u>Test Specification</u>	<u>Product Description</u>
Aura-D (AV-24) Vent	Vent : 28" dia. x 10" high Deck Flange: 30" x 30" x 6-1/2" All parts 0.40" thick	TAS 100(A)	Factory assembled 24" opening aluminum static ventilation system.

### MANUFACTURING LOCATION:

1. Newburgh, NY

### EVIDENCE SUBMITTED

<u>Test Agency</u>	<u>Test Identifier</u>	<u>Description</u>	<u>Date</u>
PRI Asphalt Technologies, Inc.	AVP-005-02-01	TAS 100	09/24/03

### APPROVED ASSEMBLY:

**System Type A:** Mechanical attachment of static vent over composite shingles.

**Cutout:** At chosen location and centered between two roof rafters and aligned a minimum of 18" from the ridge, cut a 24" diameter hole through shingles and sheathing boards.

**Installation:** Starting with a shingle course down roof edge closest to horizontal centerline of the 24" cutout, roll all shingles in the area carefully upward, and completely remove all shingle nails that are exposed and within the area enclosed by the flange.

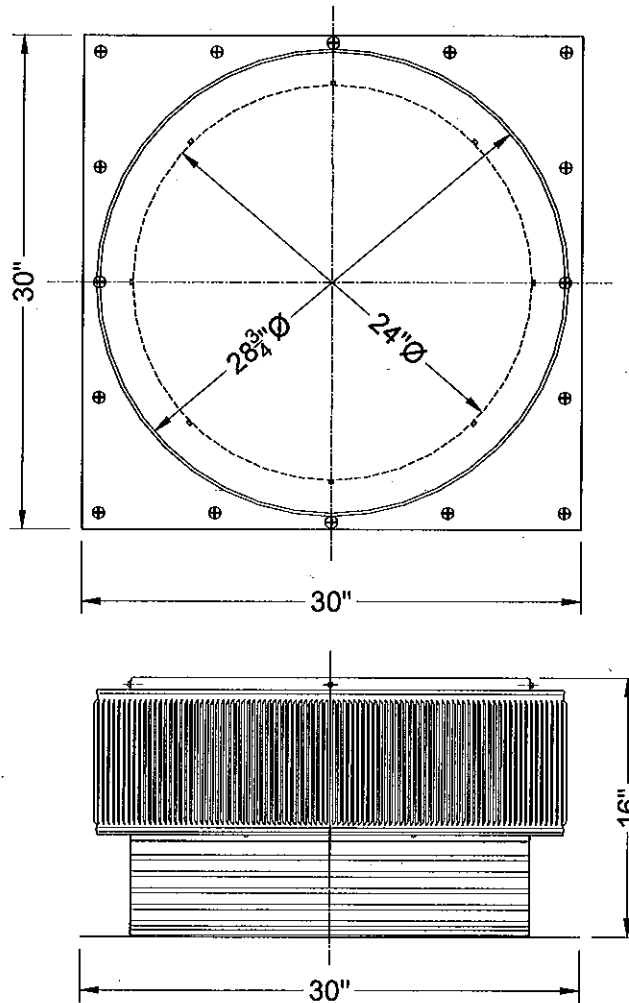
Apply 3/8" continuous bead of approved roofing cement around the outside perimeter of the opening and two 3/8" beads of roofing cement beneath the vent flange at 1" and 2" respectively from the perimeter of vent flange, carefully slide upper half of flashing up roof beneath shingles previously rolled back, until base is centered over 24" cutout. Secure the base unit to roof using 11 ga. ring shank nails 1" from the edge at all four corners. Next place nails at approximately 7" o.c. from the corners and 1" from the outside edge of the flange. Use a minimum of (16) sixteen nails (See Fastening Pattern below). Nails shall be of sufficient length to penetrate through roof sheathing a minimum of 3/16". Apply approved roofing cement to underside of shingles overlapping flashing, and press them down onto the flashing. Seal all nails and shingles edges with an approved roofing cement.

**Net Free Area:** Refer to manufacturers published literature.

**LIMITATIONS:**

1. Refer to applicable Building Codes for required ventilation.
2. Aura-D (AV-24) Vent shall comply with applicable Building Code.
3. This acceptance is for installations over asphaltic shingle or low slope roofing.
4. Aura-D (AV-24) Vent shall not be installed on roof mean heights greater than 33 feet.
5. Aura-D (AV-24) Vent shall comply with 1517.6 of the Florida Building Code (FBC).
6. All products listed herein shall have a quality assurance audit in accordance with the Florida Building Code and Rule 9B-72 of the Florida Administrative Code.

**DETAIL**



**Aura D Vent**

**END OF THIS ACCEPTANCE**